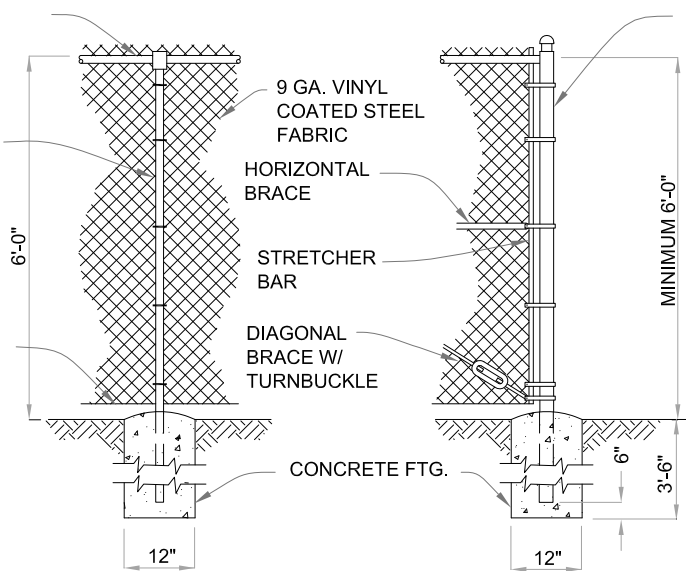


TOP RAIL 1 5/8" O.D.
GSP SCHED. 40

2 1/2" O.D. GSP
SCHED. 40 SPACED
AT 10'-0" MAX.

7 GA. AL. COATED
SPR. COIL TENSION
WIRE



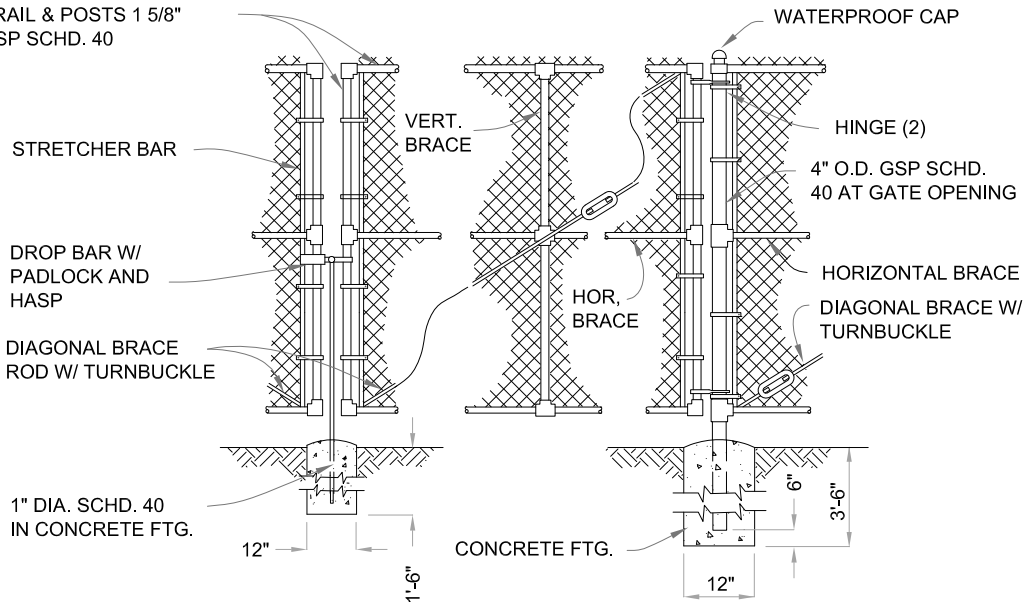
LINE POST

3" O.P. GST. SCHED.
40 AT CORNER

MINIMUM 6'-0"

CORNER POST

GATE RAIL & POSTS 1 5/8"
O.D. GSP SCHED. 40



GATE

GATE POST

NOTES:

1. GATE TO BE 12'-0" CLEAR OPENING.
2. VINYL COATED STEEL WOVEN WIRE FABRIC (BLACK) TO BE STRETCHED TAUT W/ STRETCHER BARS AND STRAPS AND FASTENED TOP & BOTTOM AND AT LINE POSTS WITH GALV. PIG RING TIES.
3. GATE TO BE SECURED OPEN WITH GATE STOP SET IN CONCRETE.
4. ALL RAILS, POSTS AND HARDWARE TO BE VINYL COATED (BLACK).

FENCE DETAIL

DSGN.	
DRW.	MES
CK.	ML



CONSTRUCTION STANDARDS AND DETAILS

DATE APPROVED
JUNE, 2016

DRAWING NUMBER

LS 3