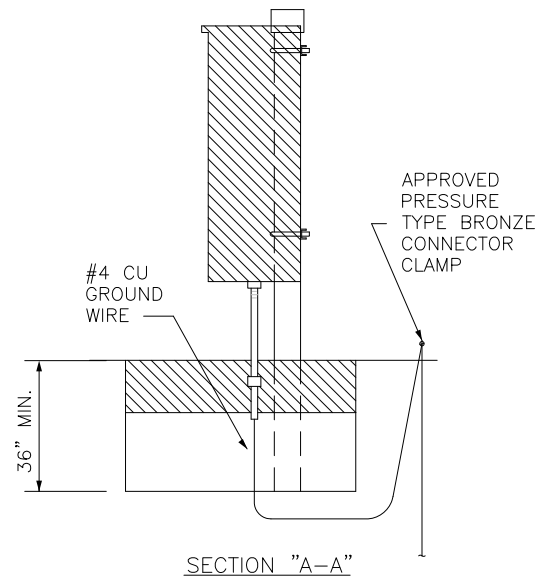


NOTES: (PLEASE REFER TO WRITTEN SPECIFICATIONS FOR ADDITIONAL REQUIREMENTS)

- ALL CONDUIT SIZES INCLUDING F.P.& L. SHALL BE SIZED FOR TWICE THE INSTALLED H.P. AMPACITY.
- ALL CONDUCTORS SHALL BE COPPER.
- ALL CONDUIT OPENINGS IN J-BOX AND CONTROL PANEL SHALL BE SEALED AIR TIGHT.
- CONDUITS BETWEEN CONTROL PANEL AND ISOLATION PANEL SHALL HAVE SEALING HUBS, APPLETON ES150-100 OR EQUIVALENT, AT THE ISOLATION PANEL.
- CONTROL PANEL AND RTU ANTENNA GROUND RODS TO BE UL LISTED COPPER CLAD STEEL 3/4" THICK,
- ALL PVC CONDUIT TO BE SCH 80 UV RESISTANT.
- FOR LIFTSTATIONS UP TO 150 AMP:
 - H(L)36###(C) - MOLDED CASE CIRCUIT BREAKER, 3 POLE, 600 VAC FRAME, ### = CURRENT RATING (15-150 AMP)
 - PDC3HD2 - POWER DISTRIBUTION CONNECTOR FOR H FRAME BREAKER (3 14-2AWG Cu)
 - S37449 - H FRAME LONG LUG SHIELD
- FOR LIFTSTATIONS OVER 150 AMP:
 - J(L)36###(C) - MOLDED CASE CIRCUIT BREAKER, 3 POLE, 600 VAC FRAME, ### = CURRENT RATING (150-250 AMP)
 - PDC3JD20 - POWER DISTRIBUTION CONNECTOR FOR J FRAME BREAKER (2 14-1AWG AND 1 3-2/0 Cu)
 - S37450 - J FRAME LONG LUG SHIELD



FLORIDA LICENSED PROFESSIONAL ENGINEER TO REVIEW AND MODIFY ELECTRICAL DESIGN AS REQUIRED TO ACCOMPLISH CONSTRUCTION IN ACCORDANCE WITH APPLICABLE CODES AND STANDARDS

LIFT STATION CONTROL PANEL (SINGLE DOOR)

DSGN.	
DRW.	MS
CK.	ML



CONSTRUCTION STANDARDS AND DETAILS

DATE APPROVED
June 2016

DRAWING NUMBER

LS 8