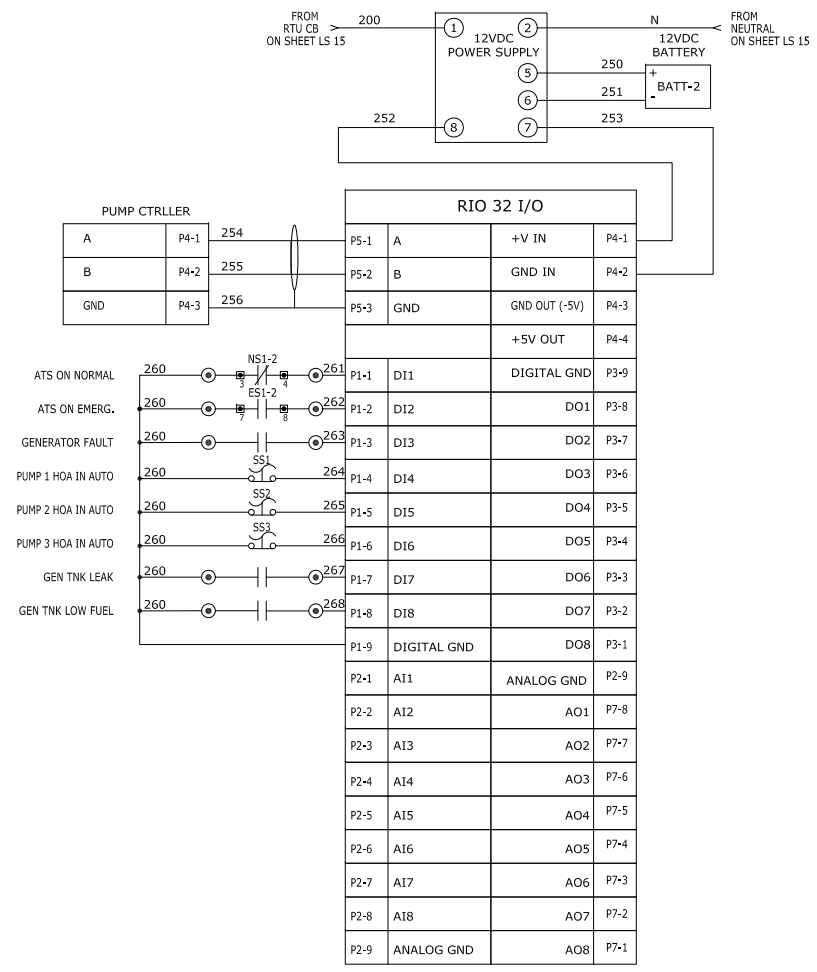
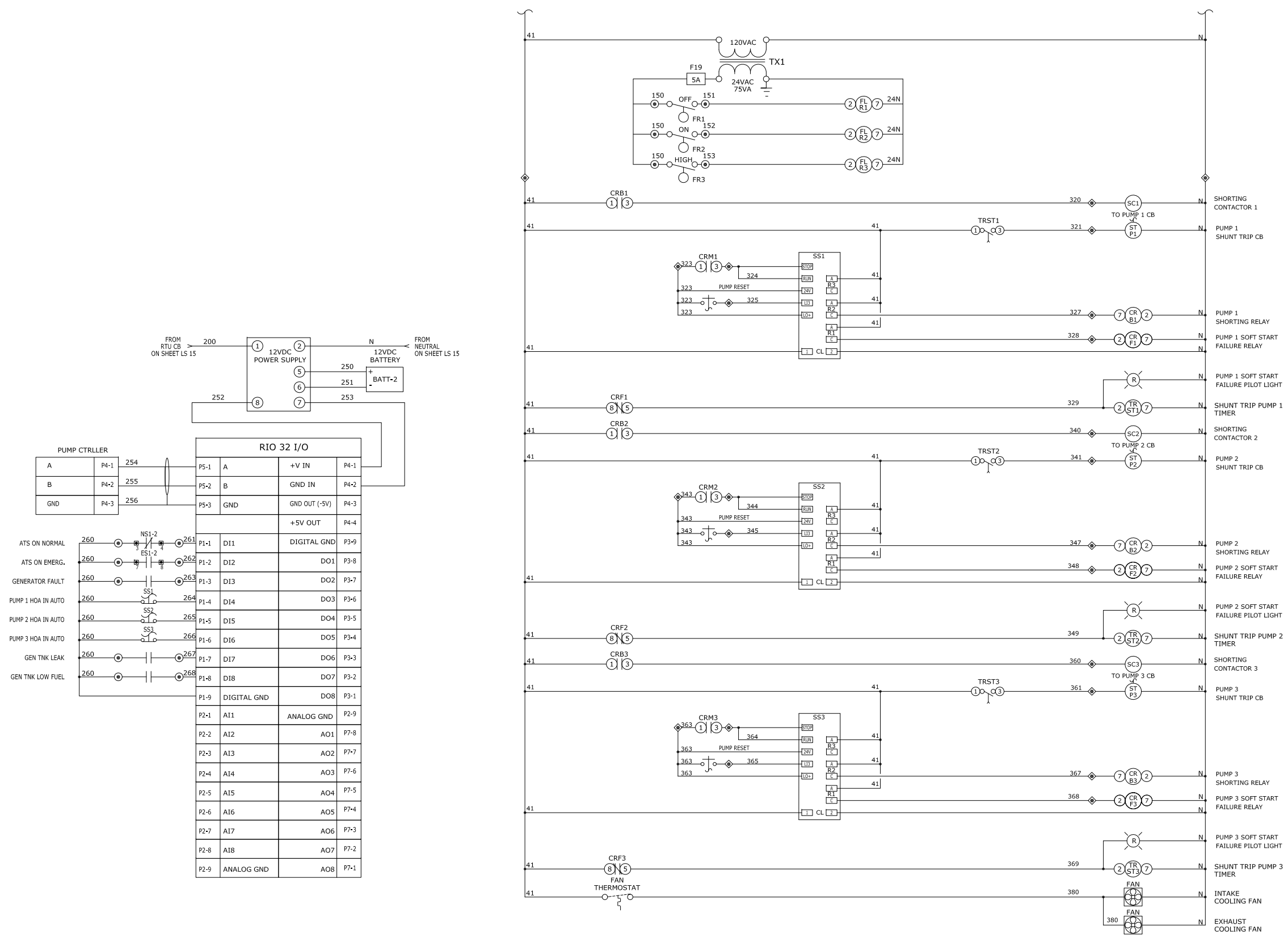


PLAN STATUS	
DATE	DESCRIPTION

M.E.S. DRAWN	M.L. CHKD
--------------	-----------

SCALE NTS  
DATE JUNE, 2016



TRIPLEX SCHEMATIC FOR LIFT STATION WITH STANDBY GENERATOR

FLORIDA LICENSED PROFESSIONAL ENGINEER TO REVIEW AND MODIFY ELECTRICAL DESIGN AS REQUIRED TO ACCOMPLISH CONSTRUCTION IN ACCORDANCE WITH APPLICABLE CODES AND STANDARDS.