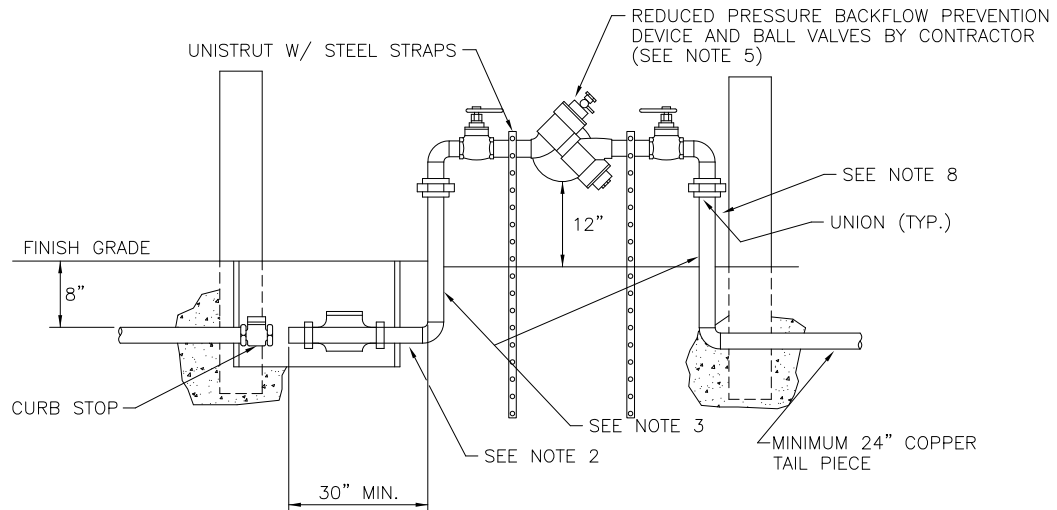


DETAIL "A"  
(SEE NOTE 6)



NOTES: (PLEASE REFER TO WRITTEN SPECIFICATIONS FOR ADDITIONAL REQUIREMENTS)

1. TYPE "K" COPPER TUBING (SOFT DRAWN) OR POLYETHYLENE TUBING SDR 9 COPPER TUBE SIZE.
2. IF THIS DISTANCE IS LESS THAN 6 FEET ONLY COPPER TUBING SHALL BE PERMITTED.
3. BOTH RISERS SHALL BE TYPE "K" COPPER TUBING (HARD DRAWN) WITH COPPER/BRASS SOLDER FITTINGS AND ADAPTERS. ONLY LEAD FREE SOLDER AND FLUX SHALL BE PERMITTED.
4. 1 1/2" AND 2" METER STOPS SHALL BE EQUIPPED WITH LOCKING CAPS AND METER FLANGES.
5. APPROVED BACKFLOW PREVENTION DEVICES WITH SILICONE RUBBER SEAL RINGS OR DISKS:
  - A.) WATTS MODEL LF919 3/4" TO 2"
  - B.) AMES MODEL LF4000B 3/4" TO 2"
  - C.) WILKINS 975 XL2 3/4" TO 2"
6. WHEN THE DEVICE IS INSTALLED PARALLEL TO A BUILDING WALL THERE SHALL BE A MINIMUM OF 2' BETWEEN THE EDGE OF THE DEVICE AND THE BUILDING WALL.
7. BACKFLOW PREVENTION DEVICE SHALL BE EQUIPPED WITH BALL VALVES.
8. BACKFLOW PREVENTION DEVICE SHALL BE SUPPORTED AT BOTH RISERS WITH A MINIMUM OF 2 - 1 1/8" STAINLESS STEEL UNISTRUTS. RISERS TO BE SECURED TO UNISTRUT WITH 304 STAINLESS STEEL MOUNTING HARDWARE AND 1/4" NEOPRENE INSULATORS BETWEEN ALL DISSIMILAR METALS.
9. BACKFLOW DEVICES SHALL BE A MINIMUM OF 3' FROM BACK OF CURB.

## REDUCE PRESSURE BACKFLOW PREVENTER SINGLE SERVICE 3/4", 1", 1-1/2" AND 2"

DSGN.	
DRW.	MES
CK.	ML



### CONSTRUCTION STANDARDS AND DETAILS

DATE APPROVED  
**AUGUST 2016**

DRAWING NUMBER

**WS 09**