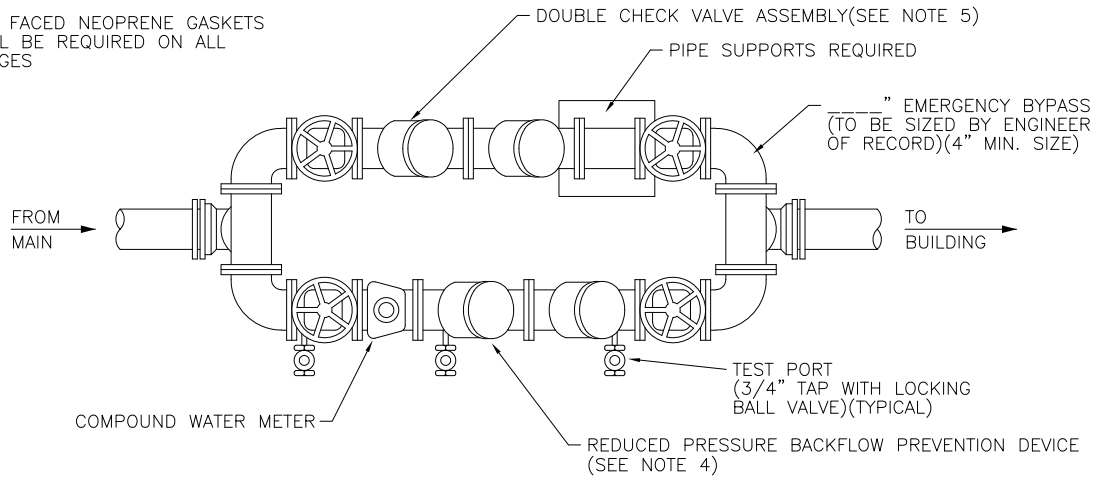
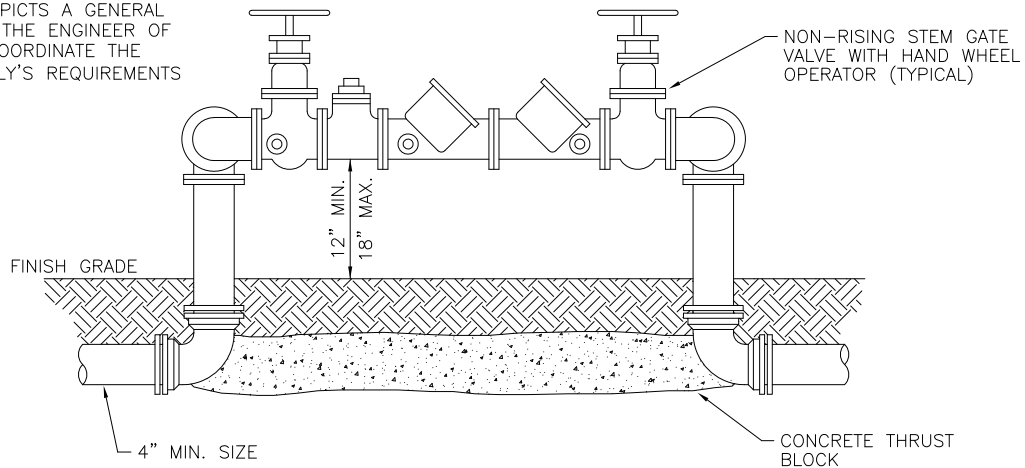


FULL FACED NEOPRENE GASKETS SHALL BE REQUIRED ON ALL FLANGES



THIS DRAWING DEPICTS A GENERAL ASSEMBLY ONLY. THE ENGINEER OF RECORD SHALL COORDINATE THE SPECIFIC ASSEMBLY'S REQUIREMENTS WITH SMRU.



NOTES: (PLEASE REFER TO WRITTEN SPECIFICATIONS FOR ADDITIONAL REQUIREMENTS)

1. MECHANICAL JOINT FITTINGS SHALL BE REQUIRED UNDERGROUND AND FLANGED FITTINGS FOR ABOVE GROUND USE, NO UNIFLANGES PERMITTED.
2. PAINT THE ABOVE GROUND ASSEMBLY IN ACCORDANCE WITH SMRU SPECIFICATIONS. DO NOT PAINT OVER NAME/SERIAL PLATE, STAINLESS STEEL OR BRASS FITTINGS.
3. WHEN PROTECTIVE PIPE STANCHIONS OR A SCREEN WALL IS REQUIRED, SEE "PROTECTIVE ENCLOSURES FOR ABOVE GROUND DEVICES" DETAIL.
4. SMRU APPROVED REDUCED PRESSURE BACKFLOW PREVENTER WITH SILICONE RUBBER SEAL RINGS OR DISKS.
5. SMRU APPROVED DOUBLE CHECK VALVE ASSEMBLIES WITH SILICONE RUBBER SEAL RINGS OR DISKS.
6. 3" METER REQUIRES 4" BACKFLOW ASSEMBLY AND PIPING.
7. ALL TEST PORTS SHALL BE PLUGGED WITH BRASS PLUGS.

METER AND BACKFLOW ASSEMBLY 3" AND LARGER

DSGN.	
DRW.	MES
CK.	ML



CONSTRUCTION STANDARDS AND DETAILS

DATE APPROVED
AUGUST 2016

DRAWING NUMBER

WS 11